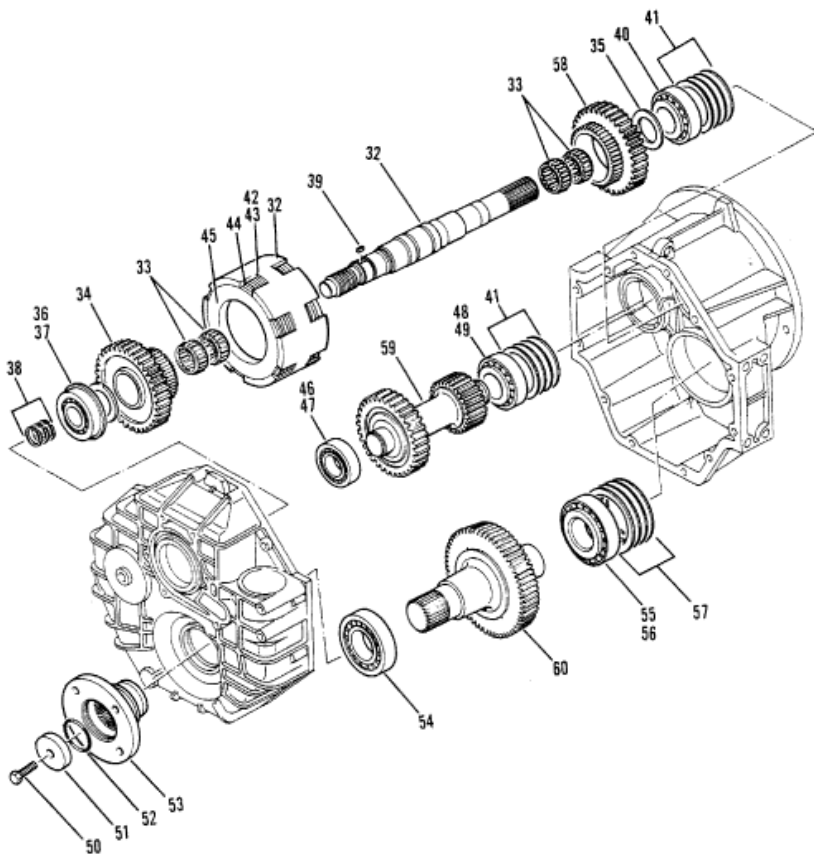


TRANSMISSION (DIRECT DRIVE)



Parts List						
Ref	Class	Part	Description	Qty	Comment	Footnote
-		18900A 1	TRANSMISSION (1.5:1 RATIO)	1		
-		18901A 1	TRANSMISSION (2.0:1 RATIO)	1		
-		18902A 1	TRANSMISSION (2.5:1 RATIO)	1		
32		813306	INPUT SHAFT	1		
33	31	813307	ROLLER BEARING	4		
34	43	813308	GEAR	1		
35	12	813309	WASHER	2		
36	31	813310	TAPERED ROLLER BEARING (I	1		
37	31	813311	TAPERED ROLLER BEARING (C	1		
38	53	813312	SNAP RING	3		
39	28	813313	KEY	1		
40	30	813314	BALL BEARING	1		
41	15	813315	SHIM (.10MM)	1		
41	15	813316	SHIM (.15MM)	1		
41	15	813317	SHIM (.20MM)	1		
41	15	813318	SHIM (.50MM)	1		
42		813319	INNER CLUTCH DISC	4		
43		813320	OUTER CLUTCH DISC	5		
44	53	813321	SNAP RING	2		
45		813322	PRESSURE DISC	2		
46	31	813323	TAPERED ROLLER BEARING (I	1		
47	31	813324	TAPERED ROLLER BEARING (C	1		
48	31	813325	TAPERED ROLLER BEARING (I	1		
49	31	813326	TAPERED ROLLER BEARING (C	1		
50	10	813327	SCREW	1		
51	23	813328	SPACER	1		
52	25	813329	O-RING	1		
53		813330	OUTPUT FLANGE	1		
54	31	813331	TAPERED ROLLER BEARING	1		
55	31	813332	TAPERED ROLLER BEARING (I	1		
56	31	813333	TAPERED ROLLER BEARING (C	1		
57	15	813334	SHIM (.10MM)	1		
57	15	813335	SHIM (.15MM)	1		
57	15	813336	SHIM (.30MM)	1		
57	15	813337	SHIM (.50MM)	1		
58	43	813338	GEAR (1.5:1 RATIO)	1		
59		813339	INTERMEDIATE SHAFT (1.5:1 F	1		
60		813340	OUTPUT SHAFT (1.5:1 RATIO)	1		
58	43	813341	GEAR (2.0:1 RATIO)	1		
59		813342	INTERMEDIATE SHAF (2.0:1 R	1		
60		813343	OUTPUT SHAFT (2.0:1 RATIO)	1		